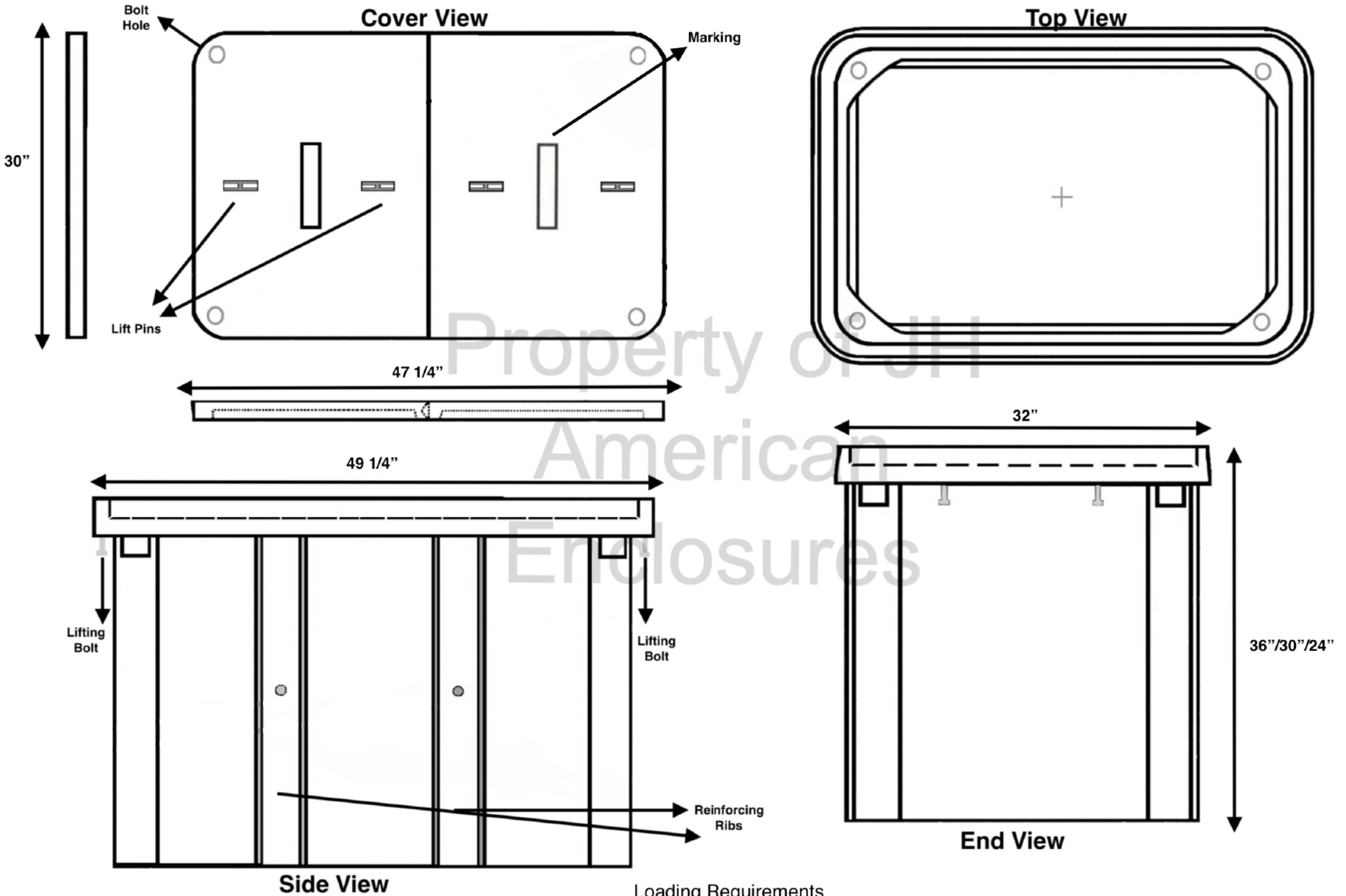


APC 304836 Polymer Concrete Box & Cover



Property of JH
American
Enclosures

JH American Enclosures
Made from over 30 years of experience

PO Box 330596
Fort Worth, TX 76163
jh_american@yahoo.com

Loading Requirements
Vertical
Design Load: 22,500 lbs
Test Load: 33,750 lbs

Lateral
Design Load: 800 lbs/sq. ft.
Test Load: 1,200 lbs/sq. ft.

Part No. APC304836
Body: Polymer Concrete
Cover: Polymer Concrete
Weight: 640 lbs Tolerance: +/- 1/8"
Material: Polymer Concrete
Standard Color: Gray
Tier 22